

## INSTALLATION INSTRUCTIONS



### **⚠ WARNING**

DISCONNECT POWER AT THE MAIN FUSE BOX BEFORE INSTALLATION .

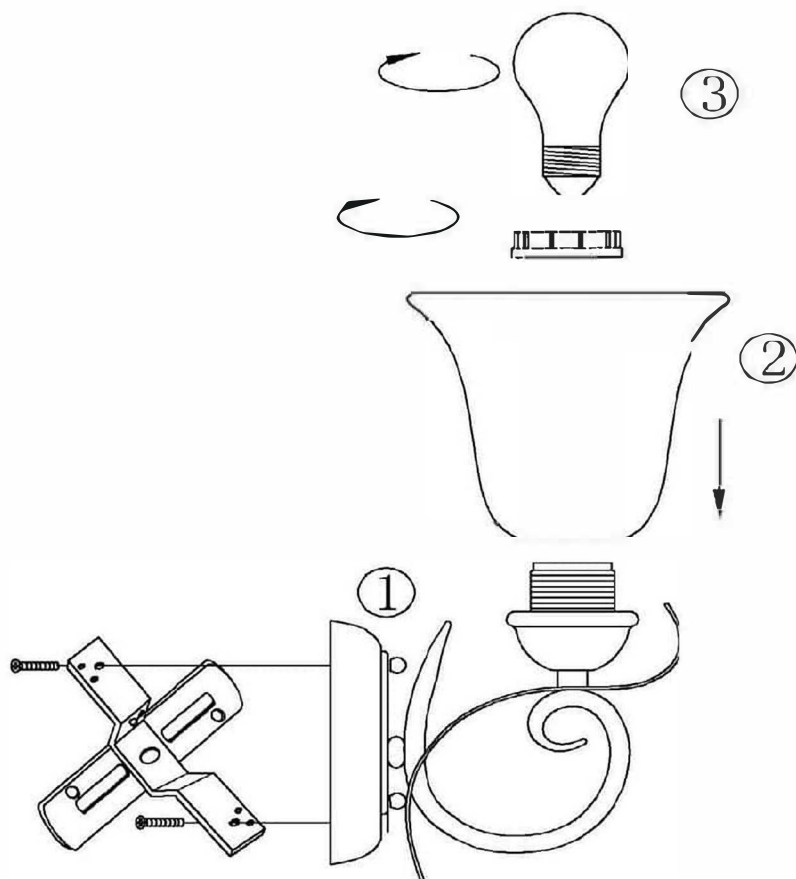
CONSULT A QUALIFIED ELECTRICIAN BEFORE INSTALLTION .

### **PREPARATION**

Before assembly , be sure to remove all parts and part packages from box . If anything is missing ,please contact the store or internet vendor from which product was purchased .

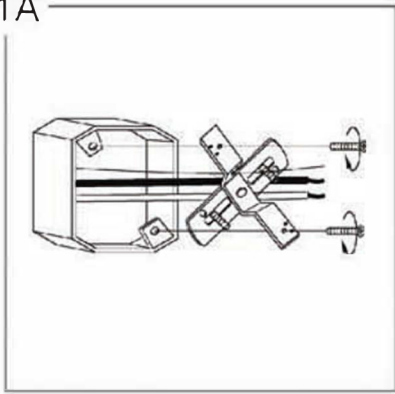
### **INSTALLATION**

- ① Connect wiring together and mount fixture to wall . (See other side for wiring and mounting instructions ) .
- ② Attach glass to fixture using socket rings .
- ③ Install light bulbs . Use 75 watt max medium base bulbs (not included) .



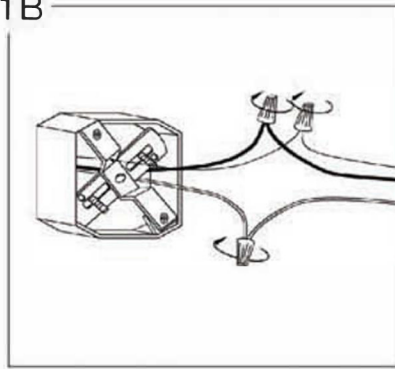
## WIRING AND MOUNTING INSTRUCTIONS

1A



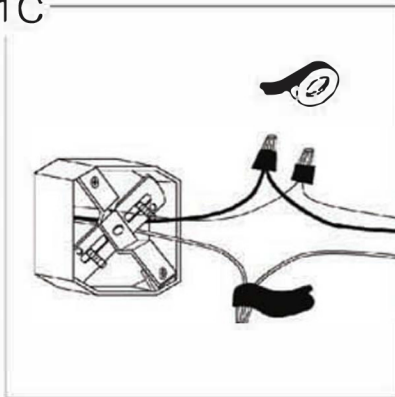
Carefully pull house wires out of junction box. With threads facing outward, screw crossbar into junction box using outlet box screws.

1B



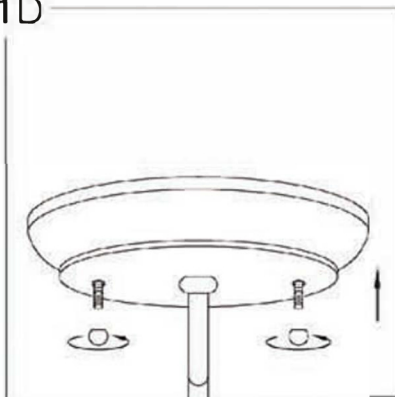
Strip 3/4" of insulation from wire ends. Connect house ground wire to fixture ground wire. Twist wires together using wire nut. Connect the black house wire to the smooth or black fixture wire. Twist wires together using wire nut. Connect the white house wire to the ribbed or white fixture wire. Twist wires together using wire nut.

1C



Tape wires and wire nuts together using electrical tape.

1D



Lining up threads on crossbar with hole in backplate, attach fixture to junction box using cap nut. Be sure to carefully tuck wires into backplate while attaching.

**(Continue with step 2 of installation on other side.)**